



## Five Aluminium Boat & Engineering Pte Ltd

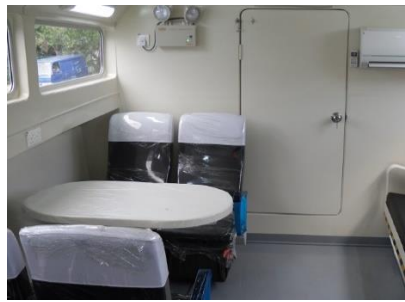
No.61, Tuas Ave 1, Singapore 639506

Tel: 6862 8233 Fax: 6861 0733 Email: sales@fiveab.com.sg

Website: www.fiveab.com.sg

GST/Company Reg No: 200810725G

### CENTURION 53 FAST UTILITY CRAFT



The Centurion 53 is a radically designed boat with the seating of 12 passengers below deck level. The low CG of this boat with a completely covered passenger cabin is specially designed for the boat to be working off port limits and be capable of taking on rough weather. The rear cockpit is also designed to carry a total of 8 standard pallets of cargo. With a top speed of 23 knots, it has a range of 14 hours and is truly a versatile crew and mini supply vessel in rolled into one.



Specialist Designer & Manufacturer of Aluminium Boats from 4m – 24m  
Authorised Distributor for ISUZU and BETA Marine Engines (10hp to 720hp)  
Marine & Commercial Engineering Design & Fabrication works,  
Marine Outfittings, Class Approved Weldings





# Five Aluminium Boat & Engineering Pte Ltd

No.61, Tuas Ave 1, Singapore 639506

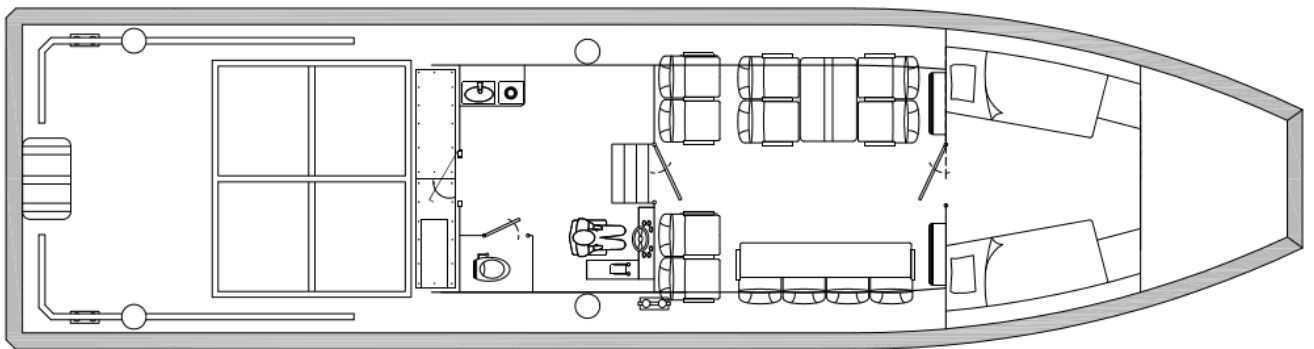
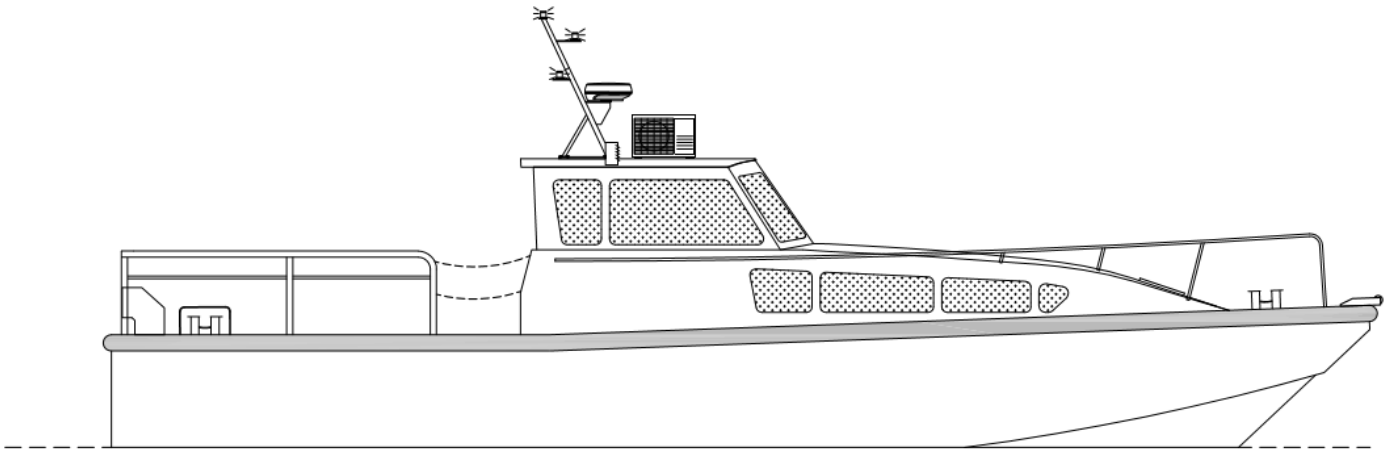
Tel: 6862 8233 Fax: 6861 0733 Email: sales@fiveab.com.sg

Website: www.fiveab.com.sg

GST/Company Reg No: 200810725G

## Principal Dimension

Item	Details
Hull Length	16.00m (53ft)
Beam	3.80m
Depth	1.9m
Draft	Approx. 0.6m unladen
Power by	Twin ISUZU UM6HE1TCX (345HP) Marine Diesel Engine
Fuel Tank Capacity	Built-in 2000litre Fuel Tank
Material	Marine Grade Aluminium Alloy (5083H321)
Hull bottom thickness	8mm
Hull side thickness	6mm
Passenger Capacity	2 crews + 12 passengers
Top Speed	23 knots
Class Type	Not build to Class Survey



Specialist Designer & Manufacturer of Aluminium Boats from 4m – 24m  
Authorised Distributor for ISUZU and BETA Marine Engines (10hp to 720hp)  
Marine & Commercial Engineering Design & Fabrication works,  
Marine Outfittings, Class Approved Weldings

